

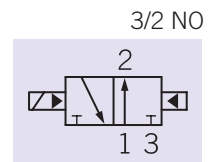
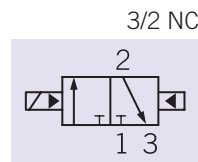


ITALIAN QUALITY AND FLEXIBILITY

E.V. 15 mm SP5

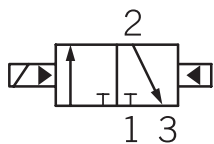
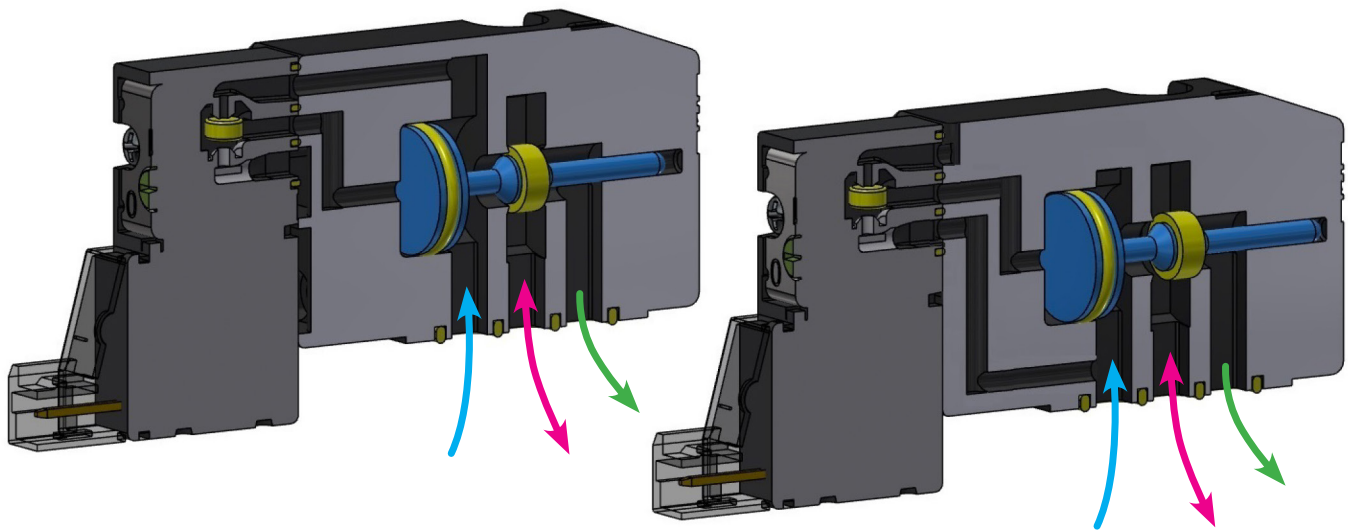
The highest flow-rate in the market
within the smallest size

La portata più elevata sul mercato
negli ingombri più contenuti

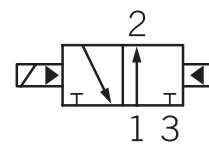


Pilot operated 3 way/2 position valve actuated by 10mm 3/2 ISO, 15mm 3/2 STD (monostable) or 15mm 3/2 LTC (bistable) made by a poppet style valve body capable of generating an extremely high flow rate and fast response times within a very compact size.

Valvola 3vie 2 posizioni ad azionamento indiretto servoazionata da elettropiloti 10mm o 15mm della serie 10mm 3/2 ISO, 15mm 3/2 STD (monostabili) e 15mm 3/2 LTC (bistabili) costituita da un corpo valvola ad otturatore che consente di ottenere una portata molto elevata e tempi di risposta estremamente rapidi in ingombri ridottissimi.



3/2 N.C.
(Normally closed)
(Normalmente chiusa)



3/2 N.O.
(Normally open)
(Normalmente aperta)

TECHNICAL SPECIFICATIONS

15 mm SP5



	Normally Closed (NC)	Normally Open (NO)
Min Working pressure [bar]	2 bar	2 bar
Max Working pressure [bar]	15 bar *	15 bar *
Flow rate at 6bar Δ 1bar [NI/min]	200 (1→2) 200 (2→3)	200 (1→2) 200 (2→3)
Response time (ISO 12238) [msec]	<10 (ON) <10 (OFF)	<10 (ON) <10 (OFF)
Voltages DC [Volt]	see pilot specs	see pilot specs
Power [Watt]	see pilot specs	see pilot specs
Voltage Tolerance	± 10%	± 10%
Fluid/ambient temperature [°C]	-10° / +50°	-10° / +50°
Max working frequency [hz]	30	30
Duty cycle	100% ED	100% ED
Life expectancy	> 50 Million cycles	> 50 Million cycles
Fixing (included)	2 screws M3x25	2 screws M3x25

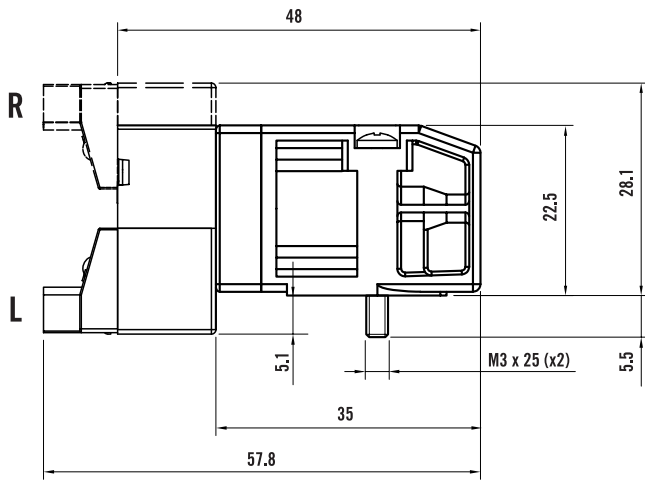
SUGGESTED PILOTS:

10mm	ISO 3/2	NC:	1.3W	∅ 0.7mm	(7bar)	e.g. P371/1
10mm	ISO 3/2	NO:	1.3W	∅ 0.7mm	(7bar)	e.g. P381/1
15mm	STD 3/2	NC:	1W	∅ 0.8mm	(10bar)	e.g. N338/OE
15mm	STD 3/2	NO:	1W	∅ 0.8mm	(10bar)	e.g. N348/OE

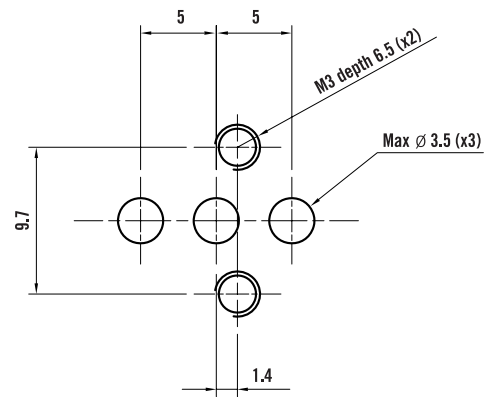
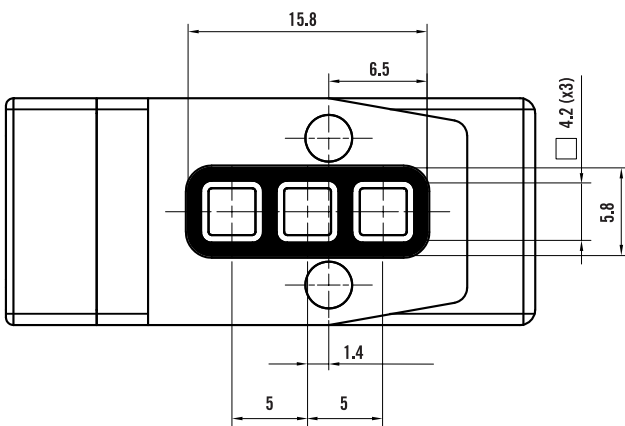
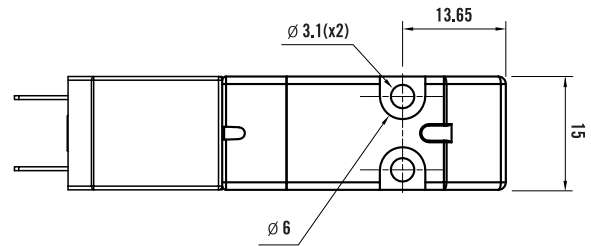
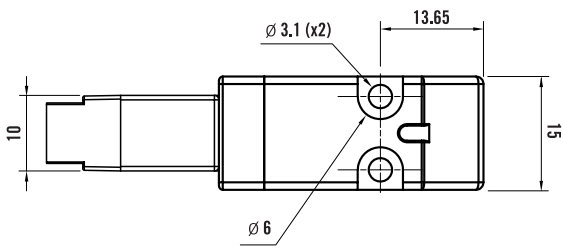
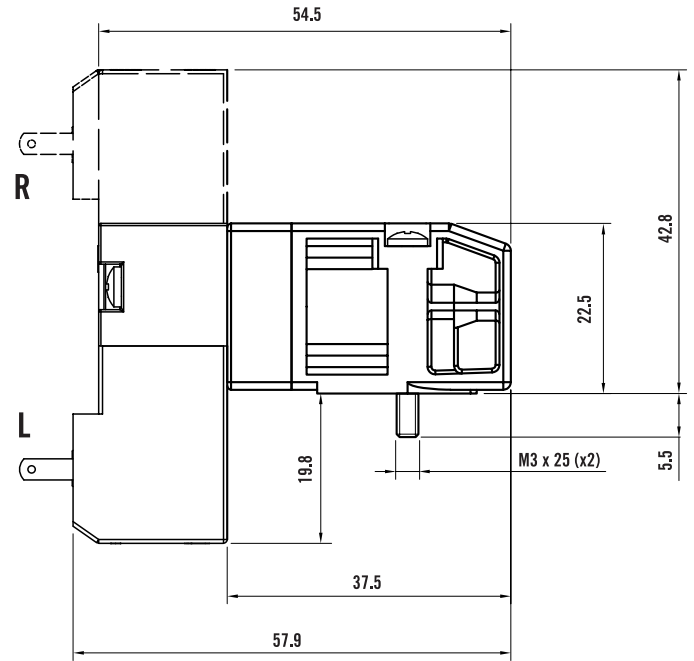
Different pressures available upon request.

* According to the max pressure of the pilot

10 MM PILOT



15 MM PILOT



PNEUMATIC INTERFACE

SUGGESTED SUBBASE

CODIFICATIONS

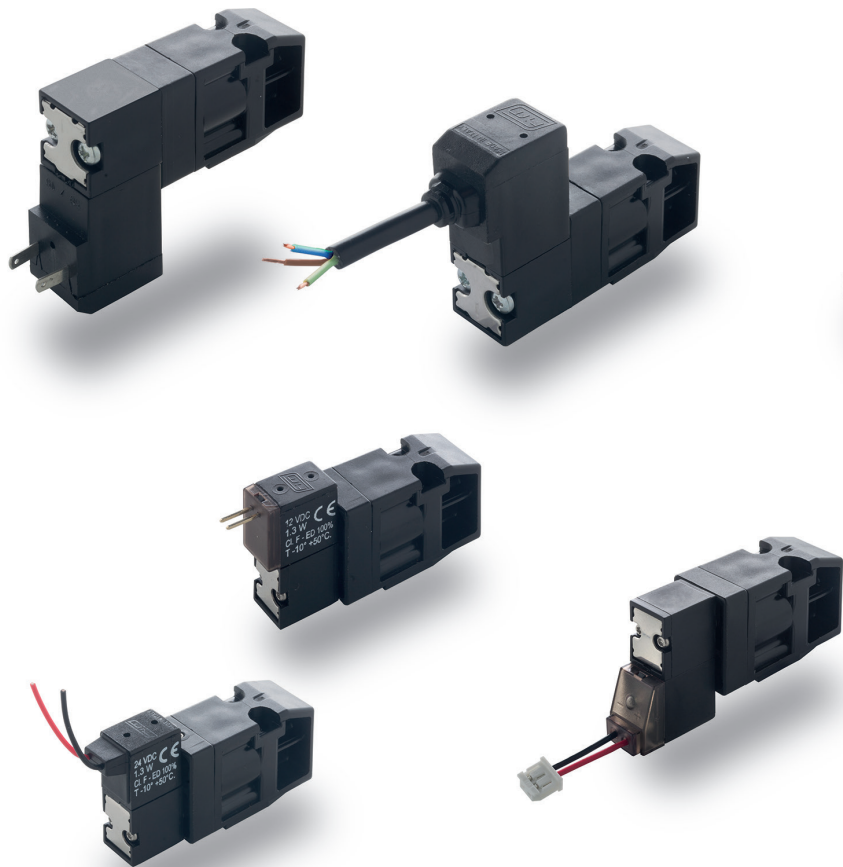
15 mm SP5

S	P	5	PILOT ORIENTATION	FUNCTION	PILOT VERSION	-	PILOT PART NUMBER
			L = left (see above dwg)	NO = 3/2 NO	10 = 10 mm		See relative catalogues 10mm 3/2 ISO 15mm 3/2 STD 15mm 3/2 LTC
			R = right (see above dwg)	NC = 3/2 NC	15 = 15 mm		
				LT = 3/2 Latching			

- Example1: **SP5-RNC15-N338/OE** 15mm SP5 Left pilot orientation 3/2 NC piloted by 15mm p/n N338/OE (10 bar max)
- Example2: **SP5-LNC10-P381/1** 15mm SP5 Right pilot orientation 3/2 NO piloted by 10mm p/n P381/1 (7 bar max)

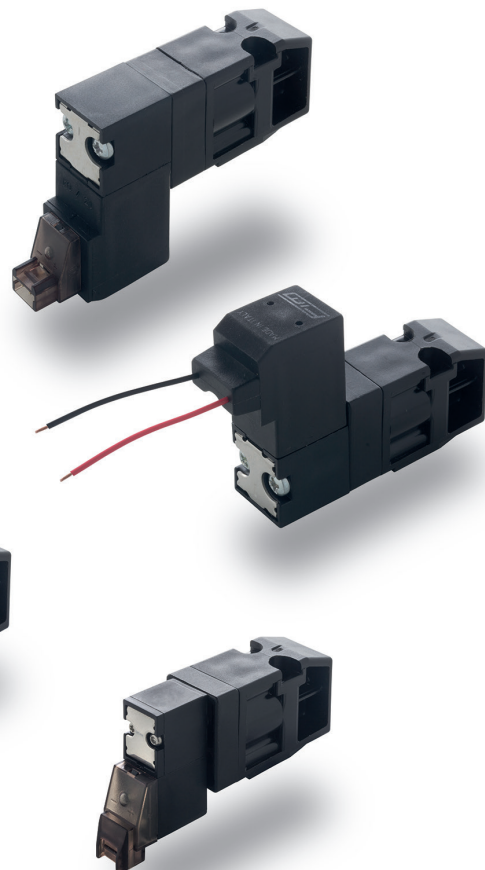
Customizations available on request

- Voltages (Volt)
- Powers (Watt)
- Electrical connectors (Molex, Tyco, Hirose, Jst)
- IP Protection (Potting compound for applications IP 67)
- Pressures (bar)

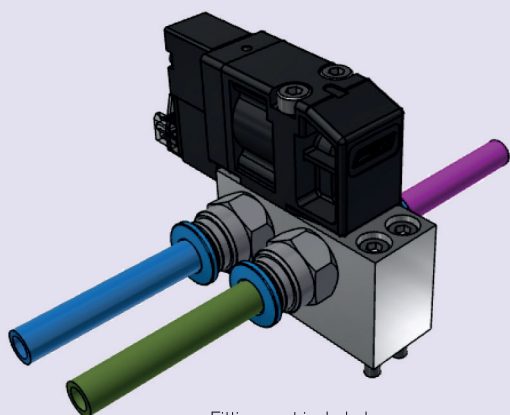


Personalizzazioni disponibili su richiesta

- Tensioni (Volt)
- Potenze (Watt)
- Connettori elettrici (Molex, Tyco, Hirose, Jst)
- Protezione IP (Resinatura per applicazioni IP 67)
- Pressioni (bar)



Some examples of 15 mm SP5
Alcuni esempi di valvole 15 mm SP5

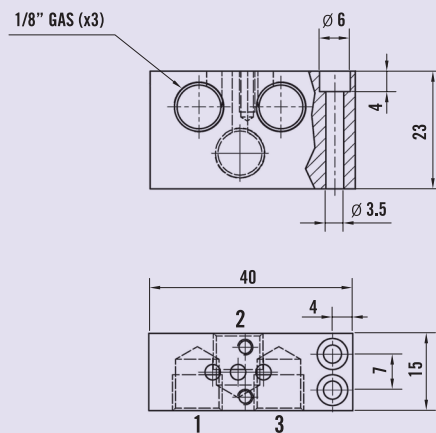


Fittings not included
Raccordi non inclusi

EVALUATION BOARD



Ordering Code: **SP5-BS01**



ITALIAN QUALITY AND FLEXIBILITY